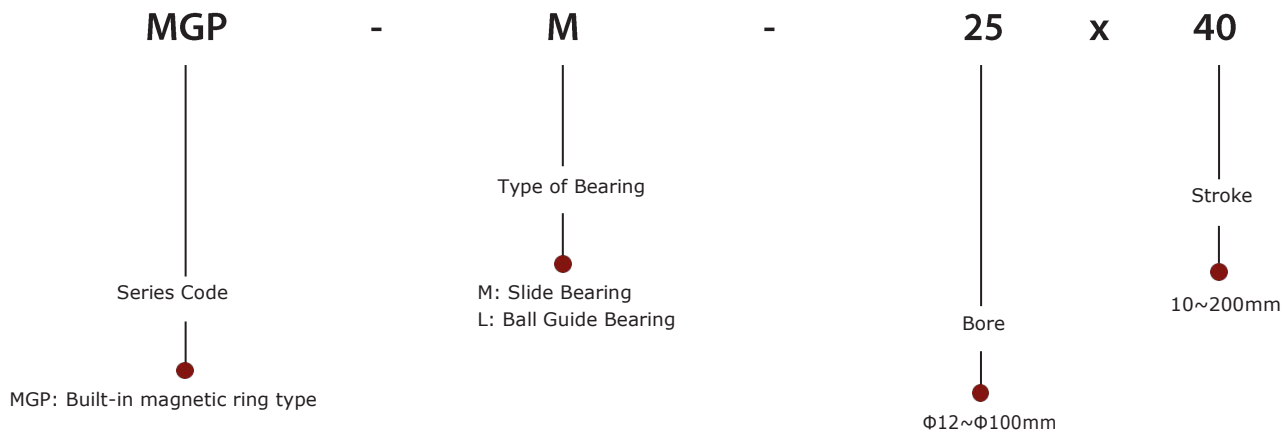


## MGP Series Interchangeable Three-Shaft Cylinder



### Ordering code



### Specification

Bore (mm)	12	16	20	25	32	40	50	63	80	100
Working Medium	Air									
Action	Double Action									
Ensured Pressure Resistance	1.5 Mpa (15.3kgf/cm <sup>2</sup> )									
Max. Working Pressure	1.0 Mpa (10.2kgf/cm <sup>2</sup> )									
Min. Working Pressure	0.12 Mpa (1.2kgf/cm <sup>2</sup> )									
Ambient & Medium Temperature	-10 - +60°C									
Piston Speed	50-500 mm/s							50-400 mm/s		
Buffering	Rubber cushion									
Tolerance of Stroke (mm)	0 - +1.5 mm									
Bearing Type	Slide bearing / Ball guide bearing									
Precision of Piston (Rod non rotating)	Slide Bearing		±0.08°	±0.07°	±0.06°	±0.05°	±0.04°			
	Ball Guide Bearing		±0.10°	±0.09°	±0.08°	±0.06°	±0.05°			
Port Size	M5×0.8			G 1/8"			G 1/4"		G 3/8"	

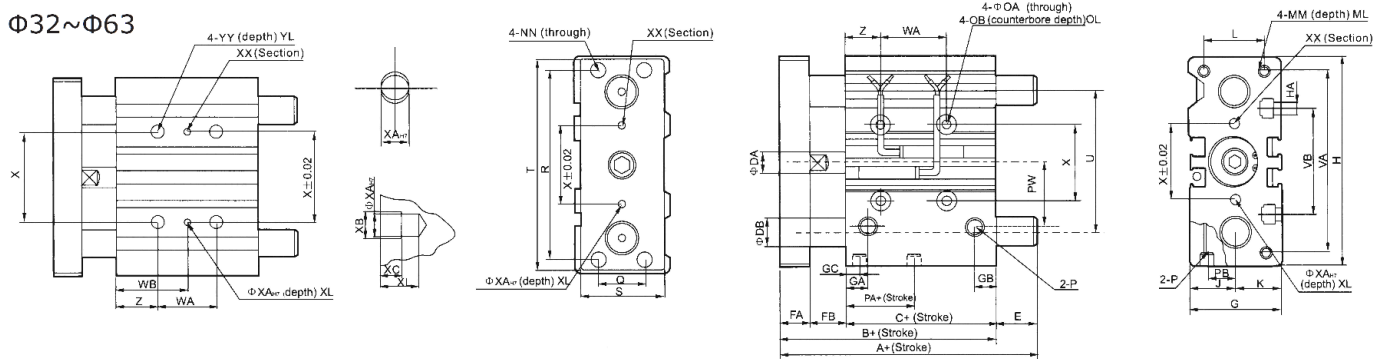
### Stroke

Bore (mm)	Standard Stroke															
	10	20	25	30	40	50	75	100	125	150	175	200	250	300	350	400
12-16	o	o		o	o	o	o	o	o	o	o	o	o			
20-25		o		o	o	o	o	o	o	o	o	o	o	o	o	o
32-100			o			o	o	o	o	o	o	o	o	o	o	o



## Overall Dimensions

Φ32~Φ63



## Dimension Sheet

### MGPM, MGPL Φ32~Φ63

Bore (mm)	Standard Stroke	B	C	DA	FA	FB	G	GA	GB	GC	H	HA	J	K	L	MM
32	25,50,70,75,100,125,150,175,200	59,5	37,5	16	12	10	48	12,5	9,0	12,5	112	M6	24	24	34	M8×1,25
40		66	44	16	12	10	54	14	10	14	120	M6	27	27	40	M8×1,25
50		72	44	20	16	12	64	14	11	12	148	M8	32	32	46	M10×1,5
63		77	49	20	16	12	78	16,5	13,5	16,5	162	M10	39	39	58	M10×1,5

Bore (mm)	Standard Stroke	ML	NN	OA	OB	OL	P	PA	PB	PW	Q	R	S	T	U	VA	VB
32	25,50,70,75,100,125,150,175,200	20	M8×1,25	6,6	11	7,5	RC1/8	7	15	34	30	96	44	110	78	98	63
40		20	M8×1,25	6,6	11	7,50	RC1/8	13	18	38	30	104	44	118	86	106	72
50		22	M10×1,5	8,6	14	9	RC1/4	9	22	47	40	130	60	146	110	130	92
63		22	M10×1,5	8,6	14	9	RC1/4	14	28	55	50	130	70	158	124	142	110

Bore (mm)	Standard Stroke	WA			WB			X	XA	XB	XC	XL	YY	YL	Z
		25 st	50,75,100 st	100 st or above	25 st	50,75,100 st	100 st or above								
32	25,50,70,75,100,125,150,175,200	24	48	124	33	45	83	42	4	4,5	3	6	M8×1,25	16	21
40		24	48	124	34	46	84	50	4	5	3	6	M8×1,25	16	22
50		24	48	124	36	48	86	66	5	6	4	8	M10×1,5	20	24
63		28	52	128	38	50	88	80	5	6	4	8	M10×1,5	20	24

### MGPM / Slide bearing

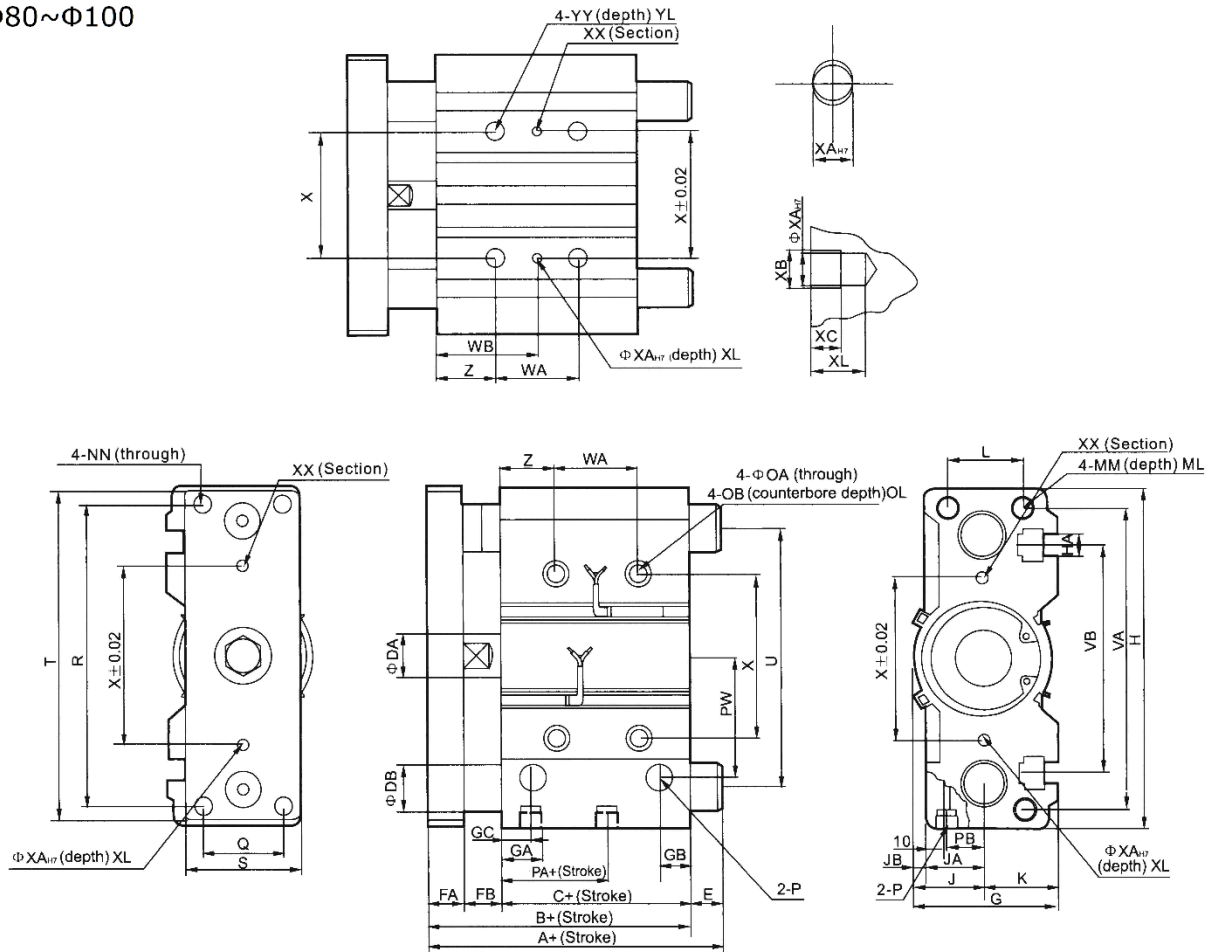
Bore (mm)	A			DB	E		
	50 st or less	50-200 st	200 st or less		50 st or less	50-200 st	200 st or less
32	97	102	140	20	37,5	42,5	80,5
40	97	102	140	20	31	36	74
50	106,5	118	161	25	34,5	46	89
63	106,5	118	161	25	29,5	41	84

### MGPL / Ball guide bearing

Bore (mm)	A				DB	E			
	50 st or less	50-100 st	100-200 st	200 st or less		50 st or less	50-100 st	100-200 st	200 st or less
32	81	98	118	140	16	21,5	38,5	58,5	80
40	81	98	118	140	16	15	32	52	74
50	93	114	134	161	20	21	42	62	89
63	93	114	134	161	20	16	37	57	84

## Overall Dimensions

Φ80~Φ100



## Dimension Sheet

### MGPM, MGPL Φ80~Φ100

Bore (mm)	Standard Stroke	B	C	DA	FA	FB	G	GA	GB	GC	H	HA	J	K	LA	JB	K	L
80	20,50,75,100,	95,5	56,5	25	22	18	91,5	19	15,5	14,5	202	M12	45,5	46	38	7,5	46	54
100	125,150,175,200	116	66	30	25	25	111,5	23	19	18	240	M14	55,5	56	45	10,5	56	62

Bore (mm)	Standard Stroke	MM	ML	NN	OA	OB	OL	P	PA	PB	PW	Q	R	S	T	U
80	20,50,75,100,	M12×1,75	30	M12×1,75	10,6	17,5	8	RC3/8	14,5	25,5	74	52	174	75	198	156
100	125,150,175,200	M14×2,0	32	M14×2,0	12,5	20	8	RC3/8	17,5	32,5	89	64	210	90	236	188

Bore (mm)	Standard Stroke	VA	VB	WA			WB			X	XA	XB	XC	XL	YY	YL	Z
				25 st	50,75,100 st	100 st or above	25 st	50,75,100 st	100 st or above								
80	20,50,75,100,125,	180	140	28	52	128	42	54	92	100	6	7	5	10	M12×1,75	24	28
100	150,175, 200	210	166	48	72	148	35	47	85	124	6	7	5	10	M14×2,0	28	11

### MGPM / Slide bearing

Bore (mm)	A			DB	E		
	50 st or less	50-200 st	200 st or less		50 st or less	50-200 st	200 st or less
80	115	142	193	30	18,5	45,5	96,5
100	137	162	203	36	21	46	87

### MGPL / Ball guide bearing

Bore (mm)	A				DB	E			
	50 st or less	50-100 st	100-200 st	200 st or less		50 st or less	50-100 st	100-200 st	200 st or less
80	109,5	130	160	193	25	13	33,5	63,5	96,5
100	121	147	180	203	30	5	31	64	87