

MHC2 Series Interchangeable Pneumatic Angular Grippers



Ordering code

MHC2 - 20

Bore
●
Φ10~Φ25mm

S

Action Type

●
D: Double Action
S: Single Action
(Normal Open)
C: Single Action
(Normal Close)

Y59A

Magnet Model

●
Blank: Without Magnet

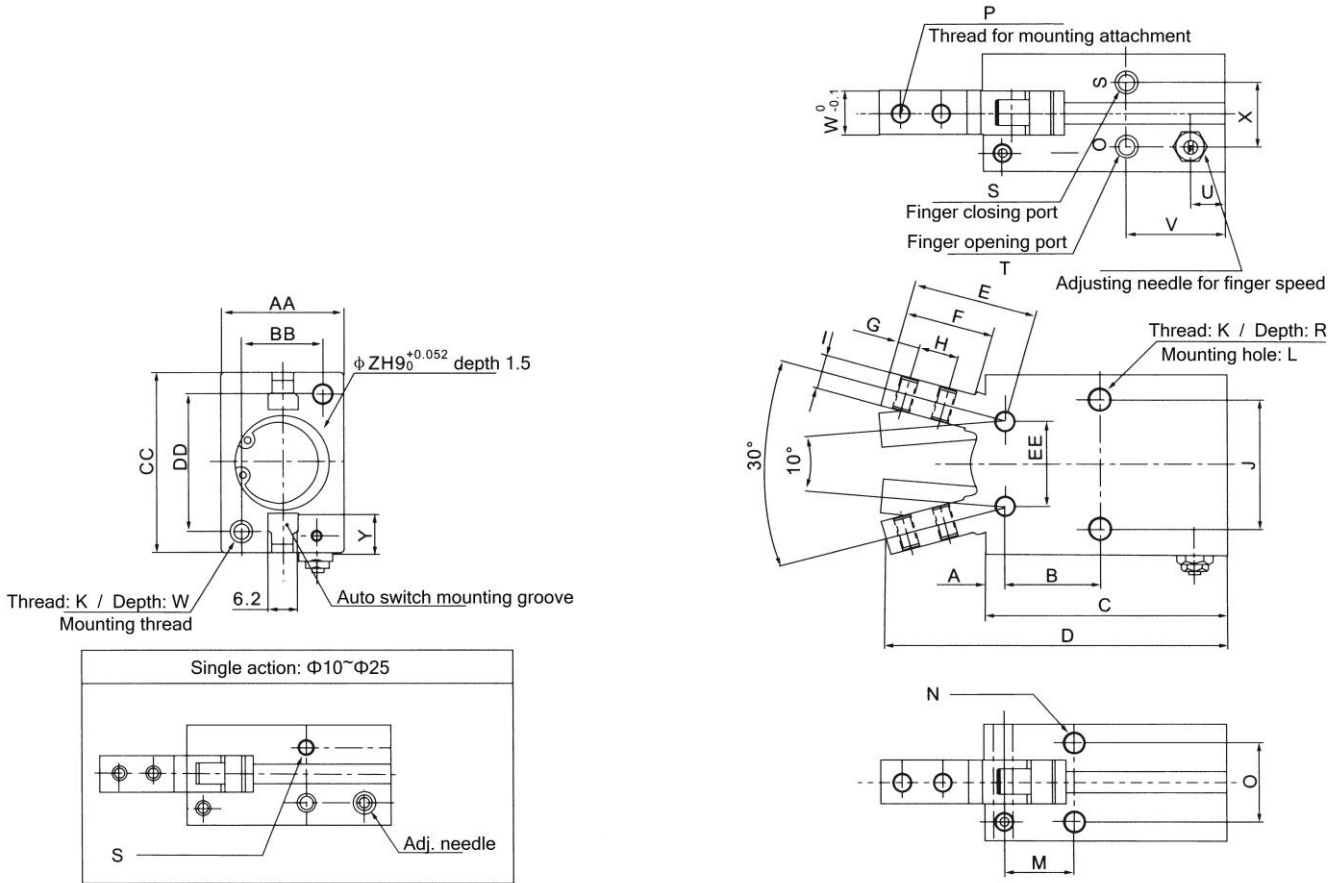
Clamping Torque

Model	Bore mm	Action	Maintain moment N cm	Opening and closing angle (both sides)
MHC2-10D	10	Double Action	1	30° - 10°
MHC2-16D	16		4	
MHC2-20D	20		7,1	
MHC2-25D	25		13,9	
MHC2-10S	10	Single Action	0,7	
MHC2-16S	16		3,2	
MHC2-20S	20		5,5	
MHC2-25S	25		11	

Magnet Optional

Bore mm	Finger switch stroke (mm) Pivot switch	Tunnel mounting type Magnetic switch
10	30° - 10°	Y59A
16		Y59B
20		Y69A
25		Y69B

Overall Dimensions



When single acting type is used, one side port is breath port.
When auto switches are used, through hole mounting is not available.

Bore	A	B	C	D	E	F	G	K	I	J	K	ΦL	M	N	O	P	R	EE	S	T	U	V	W	X	Y	ΦZ	AA	BB	CC	DD
10	28	128	386	524	172	12	3	57	4	16	M3×0.5	2,6	88	M3×0.5 de. 6	114	M2.5×0.45	5	10	M3×0.5	72	188	64	104	54	11	164	12	23	18	
16	39	162	446	625	226	16	4	7	7	24	M4×0.7	3,4	107	M4×0.7 de. 8	16	M3×0.5	8	16	M5×0.8	7	183	8	13	58	17	236	15	306	22	
20	45	217	552	787	28	20	52	9	8	30	M5×0.8	4,3	157	M5×0.8 de. 8	186	M4×0.7	10	20	M5×0.8	75	222	10	15	9	21	276	18	42	32	
25	46	258	602	92	375	27	8	12	10	36	M6×1	5,1	193	M6×1 de. 10	22	M5×0.8	12	25	M5×0.8	77	235	12	20	115	26	336	22	52	40	